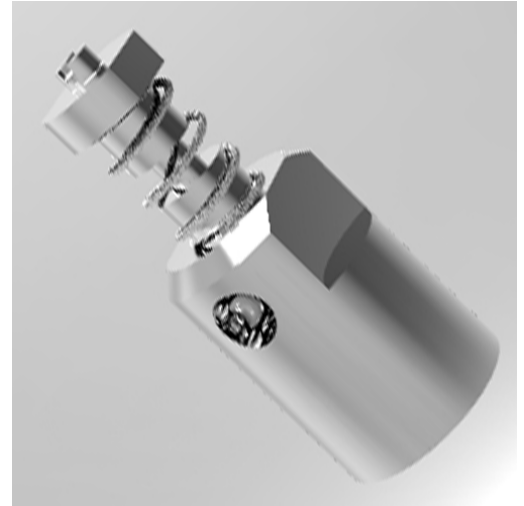
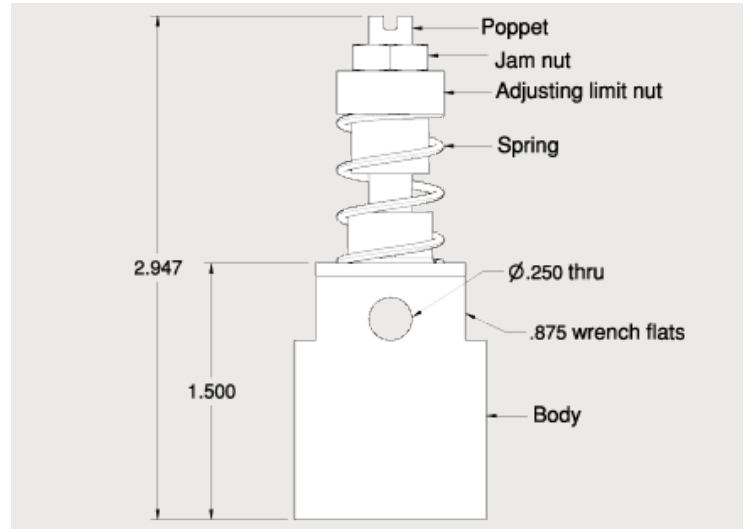


Adjustable Vacuum Relief Valves

- Adjustable spring-loaded vacuum relief setting
- Simple operation - the vacuum relief, or cracking pressure, is set by turning the adjusting nut
- Robust and reliable design - minimal parts count not only leads to lower costs, easier production, and faster assembly but also improved quality and improved dependability and reliability
- High integrity soft seat seal
- Corrosion resistant stainless steel components
- 100% factory acceptance tested - ensures reliable, consistent, leak-tight performance and product integrity



- Protects vacuum systems
- Adjustable from 5" to 25" Hg
- Corrosion resistant stainless steel
- Various NPT thread options available
- Various sealing materials available: Buna-N (nitrile), Silicone, Viton, and EPDM



Materials

Body	316 Cres
Poppet	316 Cres
Adjusting Limit Nut	316 Cres
Jam Nut	316 Cres
Spring	17-7 PH Cres
O-Ring Seal (AS568)	Buna-N (others)

Performance

Differential Vacuum Range	5" to 25" Hg
Temperature Range	to 400° F