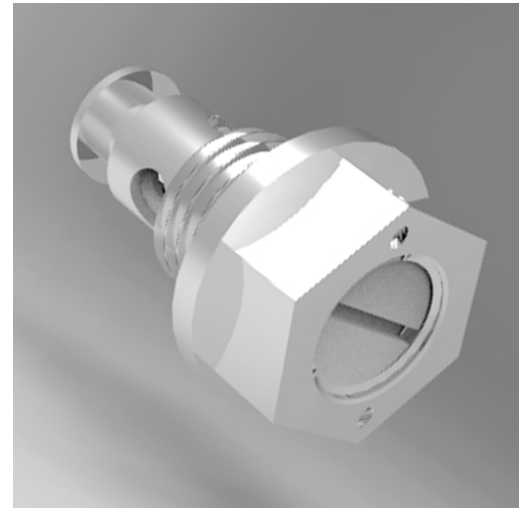


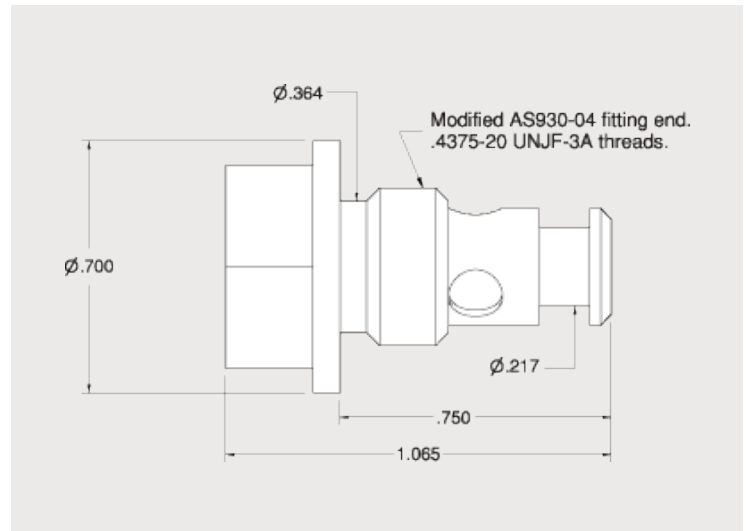


The VerusChex™ Check Valves

- Soft seat design for wide range of hydraulic system applications
- Reliable, consistent, leak-tight performance
- Qualified and flying in aircraft hydraulic systems



- Zero leak design at both high and low differential pressures
- Modified AS930-04 straight thread fitting design mates with AS5202 and MS33649 ports
- 3000 psi working pressure
- Variety of cracking pressure ranges available
- -06 and -08 sizes available upon request



Materials			Performance	
Body	15-5PH Cres	per AMS 5659	Cracking Pressures	2 to 5 psid
Retainer	316 Cres	per QQ-S-763		7 to 10 psid
Poppet	15-5PH Cres	per AMS 5659		10 to 15 psid
Spring	17-7PH Cres	per AMS 5678	Maximum Working Pressure	3000 psi
Seat	Delrin 550®	-	Proof Pressure	4500 psi
			Burst Pressure	7500 psi
			Maximum Leakage	0 drops in 5 minutes at 100 psid
				1 drop in 20 minutes at 100 psid
			Flow Rate at 50 psid	1.6 GPM