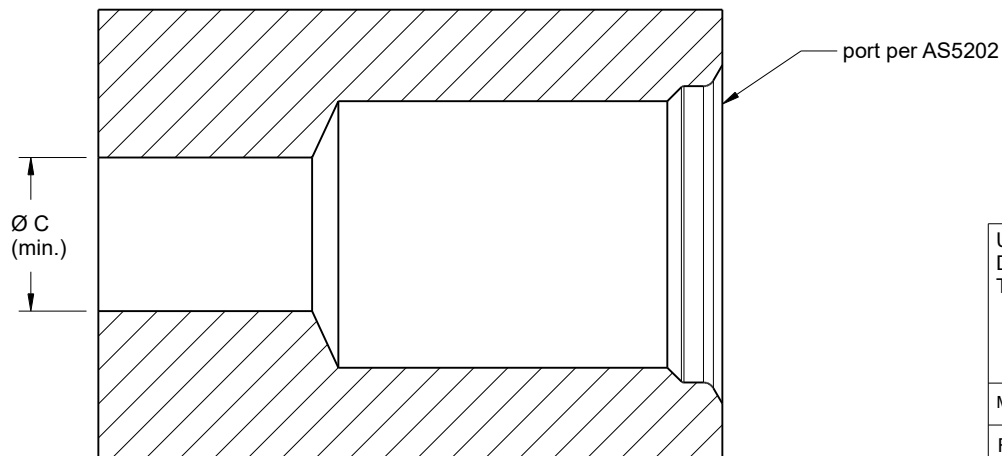
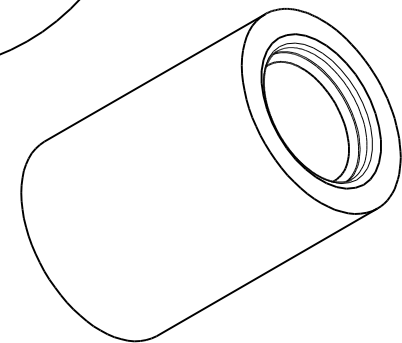
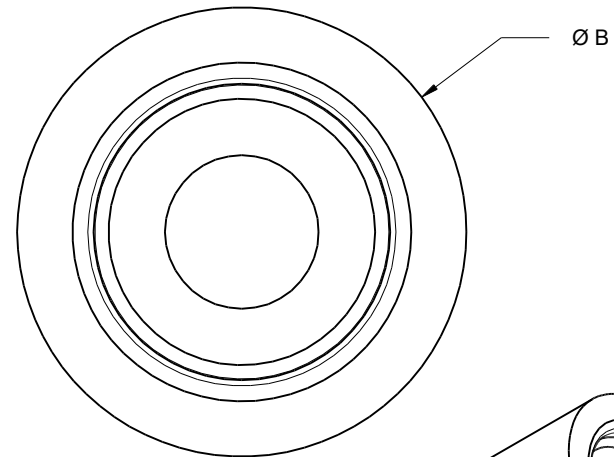
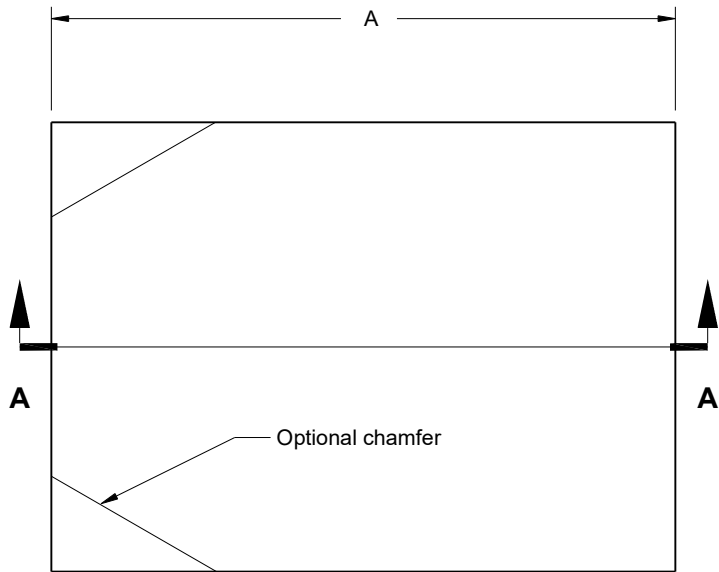


Date	Rev	Description	By



Section A-A

UOS, dimensions are in inches.  
Do not scale drawing.  
Tolerances:  
.xx =  $\pm .01$   
.xxx =  $\pm .005$   
angles =  $.5^\circ$

Material Per customer  
Finish Per material

Information contained in this drawing is the sole property of Verus Works, LLC. Reproduction prohibited without written permission of Verus Works, LLC.

**Verus Works, LLC**

Florence, Alabama  
www.verusworks.com

**VW5202**  
**Weldable Port**  
**per AS5202**

P/N	Rev	Sheet
Drawn by <b>JFavenesi</b>	Date	Cage Code <b>3CBR8</b>