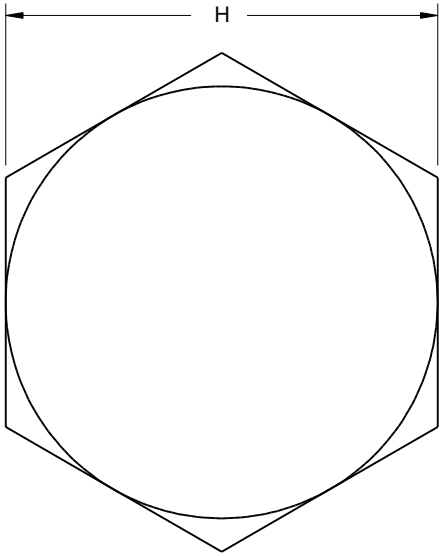
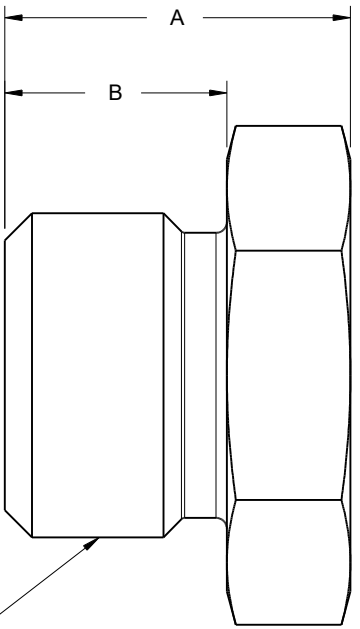
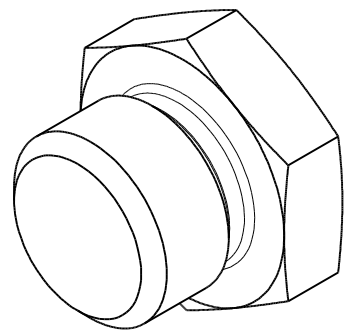




Date	Rev	Description	By



Threads T



UOS, dimensions are in inches.
Do not scale drawing.
Tolerances:
.xx = ± .01
.xxx = ± .005
angles = .5°

Material

Finish

Information contained in this drawing is the sole property of Verus Works, LLC. Reproduction prohibited without written permission of Verus Works, LLC.

Verus Works, LLC
Florence, Alabama
www.verusworks.com

VW4350
hex head plug
(per AS4320/AS4350)

P/N	Rev	Sheet
Drawn by JFavnesi	Date	Cage Code 3CBR8

